

# INSTALLATION INSTRUCTIONS

For models:  
DTDU-35-LED-41-MV

*This model number does not include a mounting arm, photoelectric control, or shorting cap.*

DTDU  
LED Dusk-to-Dawn  
Utility-grade

## WALL MOUNTING

Note: Assure that fixture is mounted to a structurally sound surface that will support the fixture.

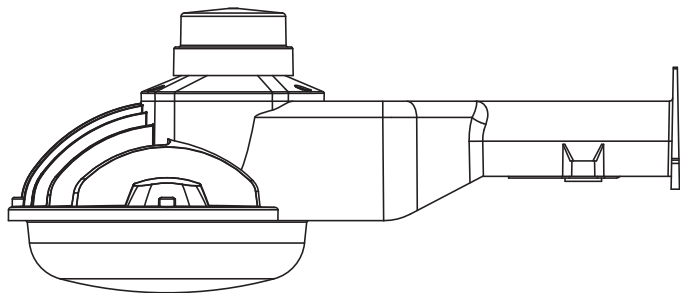
1. Select a location on a structurally secure wall or pole, minimum 4 feet from the ground.
2. Place mounting section of fixture onto desired mounting surface, mark and drill holes for mounting.
3. This fixture can be mounted with three lag screws which are provided. (Fig. 1, #14).
4. Install the two bottom lag screws first.
5. Place the fixture on the two bottom lag screws and install the top lag screw.
6. Tighten the top lag screw first and then tighten the remaining lag screws.

## FIXTURE WIRING/INSTALLATION

Note: Connect fixture to supply wires, make sure power is off.

1. Press stainless steel springs (Fig. 1, #22) outward to release cover plate (Fig. 1, #24).
2. Feed supply wires through arm and make wiring connections in the fixture.
3. Connect the incoming power lead wires to terminal block (Fig. 1, #13) black to black and white to white. Route lead wires through mounting arm, form a drip loop, and connect lead wires to power source.
4. Ensure that the power supply voltage and luminaire voltage ratings match.
5. The fixture must be grounded. Attach ground lead to ground lug on terminal block (Fig. 1, #13).
6. For wall mount applications, secure the wall mount cover plate (Fig. 1, #20) by removing the fitter clamp (Fig. 1, #21), inserting wall mount cover plate (Fig. 1, #20), inverting the fitter clamp (Fig. 1, #21), and securing with two lock washers (Fig. 1, #36) and two screws (Fig. 1, #10).
7. Install shorting cap (not included) (Fig. 1, #1) or photoelectric control (not included) by inserting plug into receptacle and twist until locking in position. Ensure Photocontrol is rated for the same voltage as the luminaire.

**HOWARD**<sup>TM</sup>  
LIGHTING PRODUCTS



## WARNING

Please read instructions carefully before attempting to install fixture and retain instructions for future reference.

Caution: To avoid electrical shock hazard.

- Turn off the electricity before installing or servicing this fixture.
- Electrical connections need to comply with National Electric Code and Local Electric Code.
- The fixture should be installed by a qualified electrician.

## GENERAL SAFETY INFORMATION

1. Disconnect power during installation and before servicing.
2. Risk of Fire: Product is for outdoor installation and use only.
3. To avoid the risk of fire or shock, this fixture must be wired in accordance with the National Electric Code and applicable local codes or ordinances.
4. All work should be performed by a qualified electrician.
5. To ensure personal safety, proper grounding is required.
6. Do not touch the yellow portion of the LED when removing the acrylic refractor. Damage may occur.

# INSTALLATION INSTRUCTIONS

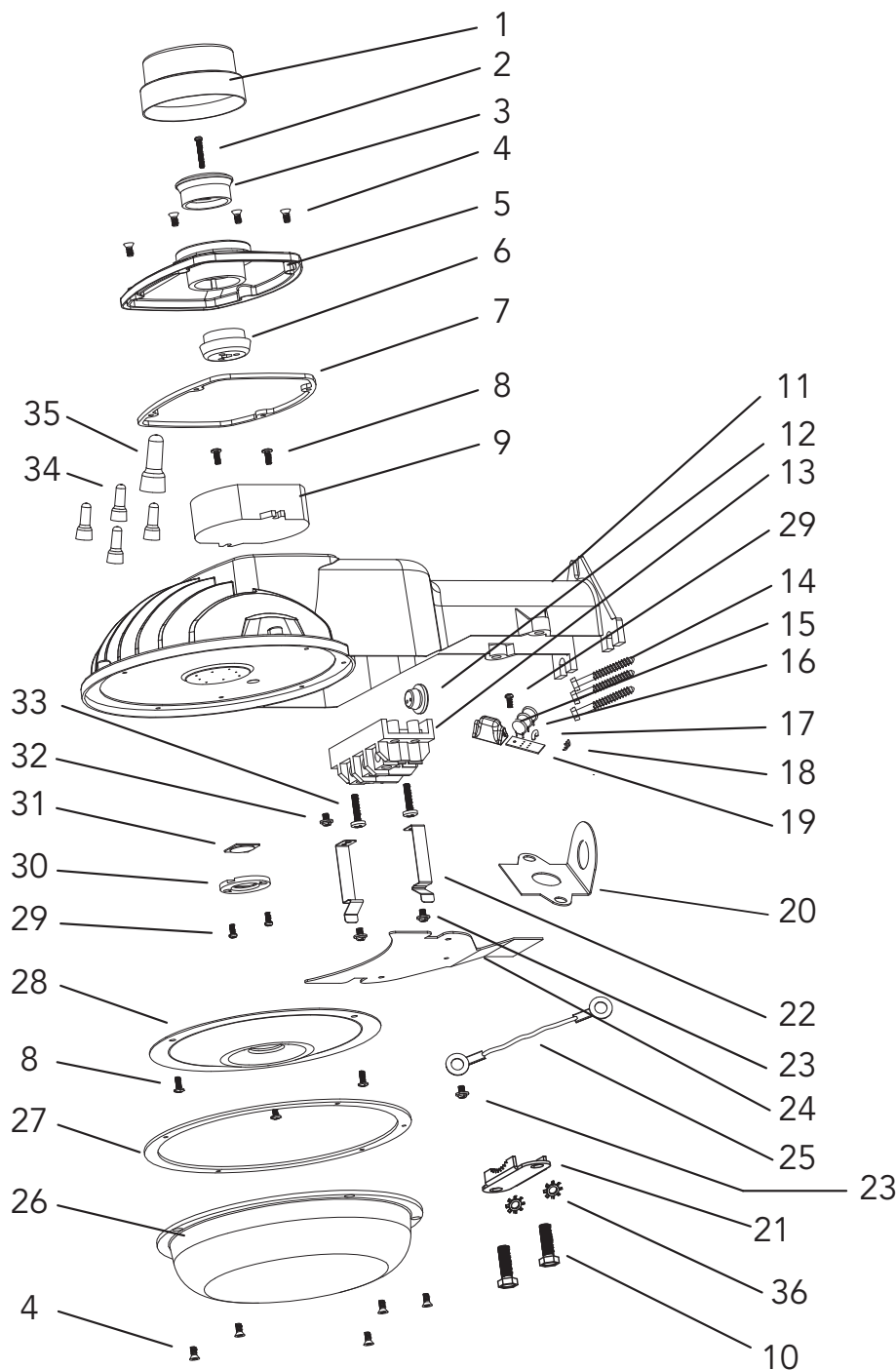
For models:  
DTDU-35-LED-41-MV

*This model number does not include a mounting arm, photoelectric control, or shorting cap.*

DTDU  
LED Dusk-to-Dawn  
Utility-grade

## TECHNICAL SPECIFICATIONS

Figure 1



NO.	DESCRIPTION	QTY
1	Shorting cap (not included)	1
2	Ball screws	1
3	Photocell socket (Top)	1
4	Screws	9
5	Top Cover	1
6	Photocell socket (Bottom)	1
7	Gasket	1
8	Screws	5
9	Driver	1
10	Screws	2
11	Housing	1
12	Water gasket	1
13	Terminal block	1
14	Lag screw	3
15	Heat shrink sleeve	1
16	MOV	3
17	Thermal fuse	1
18	Cable	3
19	PCB	1
20	Wall mount cover plate	1
21	Fitter Clamp	1
22	Stainless spring	2
23	Screw with washer	3
24	Cover plate	1
25	Tether cord	1
26	Acrylic refractor	1
27	Gasket	1
28	Refractor	1
29	Ball screws	3
30	LED cover	1
31	LED	1
32	Screw	1
33	Screw	2
34	C4 terminal	4
35	C5 terminal	1
36	Lock washer	2

Input voltage: 120-277v 50/60Hz

Color Temperature: 4100K

Shorting Cap Included

Consult Factory for Photoelectric Control ordering and specified voltage.

# INSTALLATION INSTRUCTIONS

For models:  
DTDU-48-LED-41-MV

*This model number does not include a mounting arm, photoelectric control, or shorting cap.*

DTDU  
LED Dusk-to-Dawn  
Utility-grade

## WALL MOUNTING

Note: Assure that fixture is mounted to a structurally sound surface that will support the fixture.

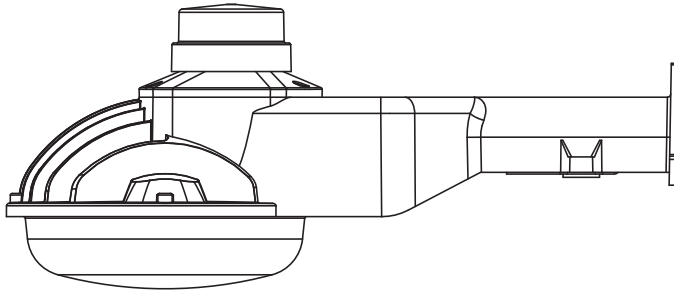
1. Select a location on a structurally secure wall or pole, minimum 4 feet from the ground.
2. Place mounting section of fixture onto desired mounting surface, mark and drill holes for mounting.
3. This fixture can be mounted with three lag screws which are provided. (Fig. 1, #14).
4. Install the two bottom lag screws first.
5. Place the fixture on the two bottom lag screws and install the top lag screw.
6. Tighten the top lag screw first and then tighten the remaining lag screws.

## FIXTURE WIRING/INSTALLATION

Note: Connect fixture to supply wires, make sure power is off.

1. Press stainless steel springs (Fig. 1, #22) outward to release cover plate (Fig. 1, #24).
2. Feed supply wires through arm and make wiring connections in the fixture.
3. Connect the incoming power lead wires to terminal block (Fig. 1, #13) black to black and white to white. Route lead wires through mounting arm, form a drip loop, and connect lead wires to power source.
4. Ensure that the power supply voltage and luminaire voltage ratings match.
5. The fixture must be grounded. Attach ground lead to ground lug on terminal block (Fig. 1, #13).
6. For wall mount applications, secure the wall mount cover plate (Fig. 1, #20) by removing the fitter clamp (Fig. 1, #21), inserting wall mount cover plate (Fig. 1, #20), inverting the fitter clamp (Fig. 1, #21), and securing with two lock washers (Fig. 1, #36) and two screws (Fig. 1, #10).
7. Install shorting cap (not included) (Fig. 1, #1) or photoelectric control (not included) by inserting plug into receptacle and twist until locking in position. Ensure Photocontrol is rated for the same voltage as the luminaire.

**HOWARD**<sup>TM</sup>  
LIGHTING PRODUCTS



## Warning

Please read instructions carefully before attempting to install fixture and retain instructions for future reference.

Caution: To avoid electrical shock hazard.

- Turn off the electricity before installing or servicing this fixture.
- Electrical connections need to comply with National Electric Code and Local Electric Code.
- The fixture should be installed by a qualified electrician.

## General Safety Information

1. Disconnect power during installation and before servicing.
2. Risk of Fire: Product is for outdoor installation and use only.
3. To avoid the risk of fire or shock, this fixture must be wired in accordance with the National Electric Code and applicable local codes or ordinances.
4. All work should be performed by a qualified electrician.
5. To ensure personal safety, proper grounding is required.
6. Do not touch the yellow portion of the LED when removing the acrylic refractor. Damage may occur.

# INSTALLATION INSTRUCTIONS

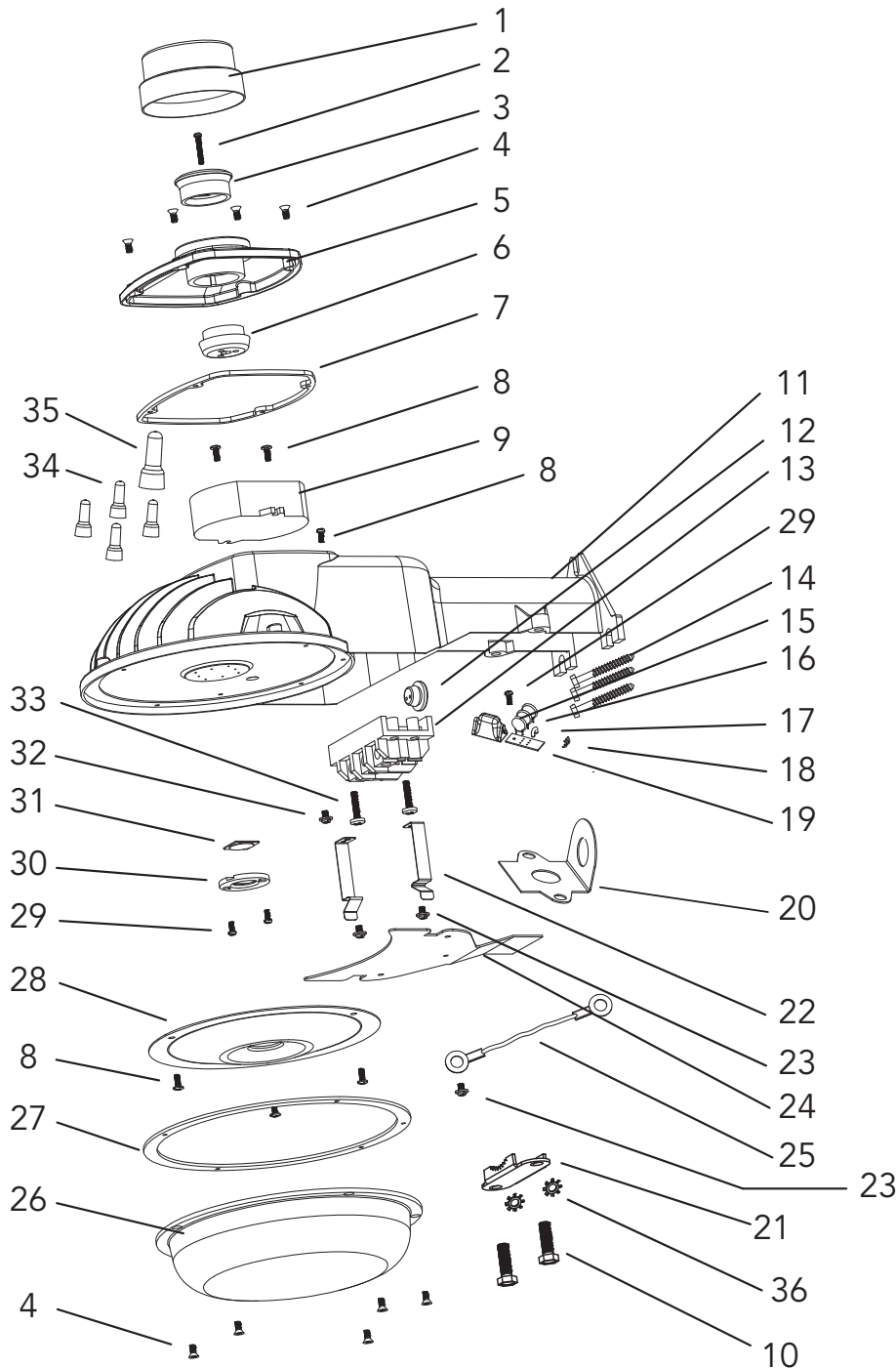
For models:  
DTDU-48-LED-41-MV

*This model number does not include a mounting arm, photoelectric control, or shorting cap.*

DTDU  
LED Dusk-to-Dawn  
Utility-grade

## Technical Specifications

Figure 1



NO.	DESCRIPTION	QTY
1	Shorting cap (not included)	1
2	Ball screws	1
3	Photocell socket (Top)	1
4	Screws	9
5	Top Cover	1
6	Photocell socket (Bottom)	1
7	Gasket	1
8	Screws	6
9	Driver	1
10	Screws	2
11	Housing	1
12	Water gasket	1
13	Terminal block	1
14	Lag screw	3
15	Heat shrink sleeve	1
16	MOV	3
17	Thermal fuse	1
18	Cable	3
19	PCB	1
20	Wall mount cover plate	1
21	Fitter Clamp	1
22	Stainless spring	2
23	Screw with washer	3
24	Cover plate	1
25	Tether cord	1
26	Acrylic refractor	1
27	Gasket	1
28	Refractor	1
29	Ball screws	3
30	LED cover	1
31	LED	1
32	Screw	1
33	Screw	2
34	C4 terminal	4
35	C5 terminal	1
36	Lock washer	2

Input voltage: 120-277v 50/60Hz

Color Temperature: 4100K

Shorting Cap Included

Consult Factory for Photoelectric Control ordering and specified voltage.