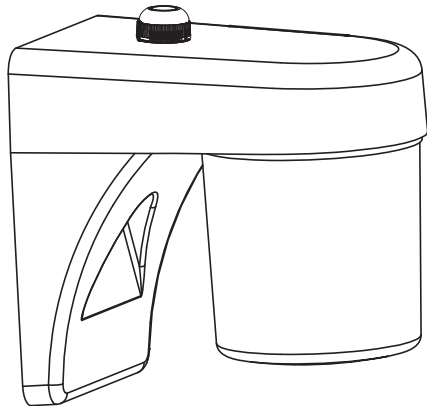


LED ENTRY LIGHT INSTALLATION INSTRUCTIONS

LEL-20-120



WARNING

When using electrical equipment, basic safety precautions should always be followed including the following:

READ AND FOLLOW ALL SAFETY INSTRUCTIONS

1. To reduce the risk of electrical shock, turn off power supply before installation or servicing.
2. This luminaire must be installed in accordance with the NEC or your local electrical code. If you are not familiar with these codes and requirements, consult a qualified electrician.

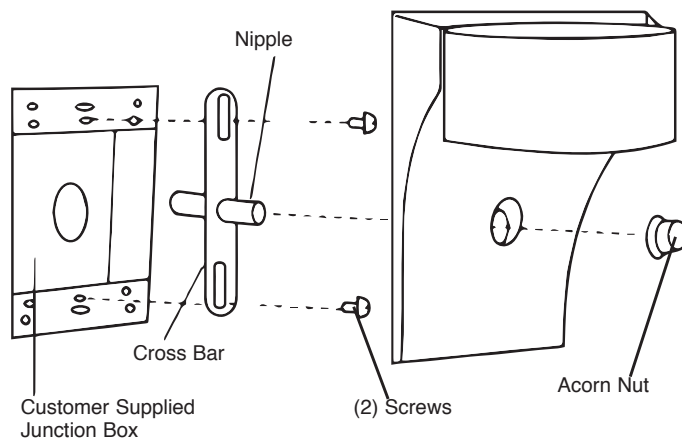
SAVE THESE INSTRUCTIONS
FOR FUTURE REFERENCE

WALL MOUNTING

NOTE: Seal the top and sides of the canopy with silicone-base sealant after installation.

1. Fixtures are mounted using a crossbar and universal nipple attached to a customer supplied junction box. Screw the crossbar into the junction box using (2) supplied screws. *See Figure 1.*
2. Thread nipple into crossbar. *See Figure 1.*
3. Make electrical connections as follows and carefully push wires into junction box:
 - Connect the Line to Black
 - Neutral to White
 - Ground to Green screw located on crossbar
4. Making sure that no wires are pinched place fixture over nipple and secure using the supplied acorn nut. *See Figure 1.*

FIGURE 1



Need help? Call 1-800.956.3456 to speak with our installation and product experts.

HOWARDTM
LIGHTING PRODUCTS

580 Eastview Drive | Laurel, MS 39443
(p) 601.422.0033 | (f) 601.422.1652 | Toll-Free: 800.956.3456
www.Howard-Lighting.com

Revised 6/7/2015