

Versalite LED Wallpack

Applies to

VL12X, VL20X, VL30X, VL40X, VL50X, VL80X, VL100X, VL120X

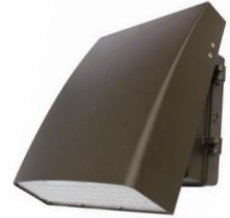


Table 1: Product Specifications

Model	Dimensions (LxWxH) inches	Input Voltage	Input Current (Max.)	Watt	Power Factor	Dimming
VL12X	6x5x3.4	100-277VAC	0.15A	12W	≥0.9	NA
VL30X	9x7.6x4.5		347-480VAC	0.38A		30W
VL40X		0.17A		40W		0-10V/PWM/VR
VL50X		100-277VAC	0.52A	50W		NA
VL80X	13x11x5.5	277-480VAC	1.0A	80W		0-10V/PWM/VR
VL100X			0.48A	100W		0-10V/PWM/VR
VL120X		100-277VAC	1.5A	120W		0-10V/PWM/VR

Where X represents CCT (3=3000K, 4=4000K, 5=5000K)

SAFETY INSTRUCTION

- Read instructions carefully before attempting to install fixture. Retain instruction for future reference.
- Disconnect power before installing or servicing. This fixture must be wired in accordance with the National Electrical Code and applicable local codes and ordinances.
- All wiring should be performed by a qualified electrician. This fixture is for outdoor use and should not be used in areas with limited ventilation or high ambient temperatures.
- Please consult product specifications (Table 1) before wiring to estimate total load.

INSTALLATION

1. Open the fixture 90° to get easy access to screws holding the back plate (figure 1). Loosen 2 screws and take off the back plate.

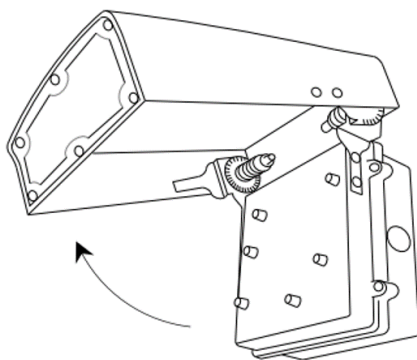


Fig. 1



Fig. 2

2. Remove weep-hole screws from the bottom of the back plate (figure 2). VL12x series has only one weep-hole screw in the bottom center.

3. Tighten threaded coin plugs.

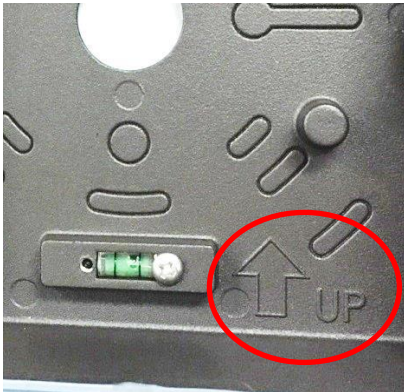


Fig. 3(a)

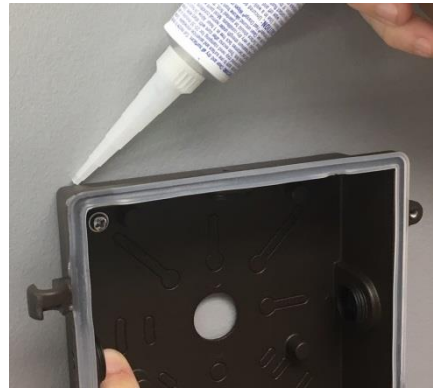


Fig. 3(b)



Fig. 3(c)

4. Orient so that the UP (↑) arrow points upwards (figure 3(a)). Secure the back plate to junction box by screws (provided by others).
5. **Apply silicone glue (provided by others) along the top and down both sides to prevent water entering the back of the fixture.** See figure 3(b) & 3(c).
6. Hang the fixture on the back plate. Connect the green ground wire with ring terminal to the back plate (figure 4(a) & 4(b)). Using wire-nuts (provided by others) connect white to "Neutral", black to "Live", and green to "Ground".

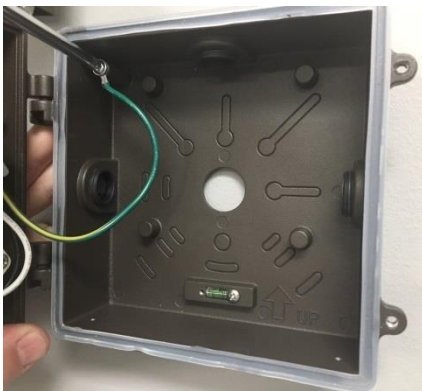


FIG. 4(a)

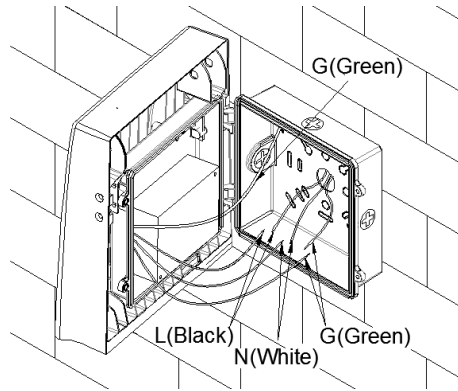


FIG. 4(b)

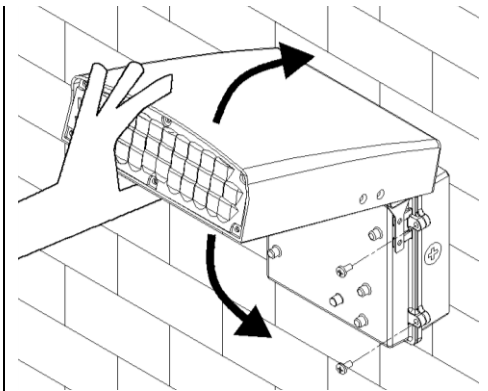


FIG. 5

7. Close fixture and tighten the 2 screws (figure 5).
8. Adjust fixture to desired angle.

WARNING –

Water entering the fixture is likely to cause failure. Water damage due to loose coin plugs or failure to seal the perimeter of the fixture to the mounting surface or failure to remove weep-hole screws will void warranty.