

8/22/2014

4 Lamp  
Standard Ballast Factor  
Multi-volt

Project:	
Catalog#:	
Approved by:	

Electronic Fluorescent Ballast

**T5 Programmed Rapid Start Series Lamp Operation**

Lamp Type	No. Of Lamps	Lamp Watts	Line Voltage	Ballast Factor	Input Watts	Input Current (amps)	Power Factor	THD	Ballast Efficacy Factor
F54T5/HO*	4	54	120	0.96	236	1.98	0.99	<10%	0.41
		54	277	0.98	228	0.86	0.96	<10%	0.43
	3	54	120	0.97	171	1.47	0.99	<10%	0.58
		54	277	0.99	171	0.63	0.98	<10%	0.58
	2	54	120	0.96	112	0.96	0.99	<10%	0.86
		54	277	0.98	112	0.42	0.98	<10%	0.88
	1	54	120	1.00	59	0.50	0.99	<10%	1.69
		54	277	1.01	60	0.23	0.94	<10%	1.67
F54T5/HO/ES 49W	4	49	120	1.00	214	1.80	0.99	<10%	0.47
		49	277	1.00	213	0.78	0.98	<10%	0.47
	3	49	120	1.00	164	1.38	0.99	<10%	0.61
		49	277	1.00	163	0.60	0.98	<10%	0.61
	2	49	120	1.00	107	0.90	0.99	<10%	0.93
		49	277	1.00	106	0.39	0.98	<10%	0.94
	1	49	120	1.00	57	0.48	0.99	<10%	1.75
		49	277	1.00	57	0.21	0.98	<10%	1.75
FT55W/2G11	4	55	120	0.88	209	1.74	0.99	<10%	0.43
		55	277	0.90	207	0.76	0.98	<10%	0.44
	3	55	120	0.92	155	1.29	0.99	<10%	0.59
		55	277	0.93	155	0.57	0.98	<10%	0.60
	2	55	120	0.92	101	0.84	0.99	<10%	0.91
		55	277	0.91	101	0.38	0.97	<10%	0.91
	1	55	120	0.92	54	0.46	0.99	<15%	1.70
		55	277	0.93	56	0.22	0.92	<15%	1.66
FT50W/2G11	4	50	120	0.95	213	1.79	0.99	<10%	0.44
		50	277	0.95	213	0.78	0.98	<10%	0.44
	3	50	120	0.96	163	1.37	0.99	<10%	0.58
		50	277	0.96	164	0.61	0.97	<12%	0.58
	2	50	120	0.97	109	0.92	0.99	<10%	0.89
		50	277	0.97	110	0.42	0.94	<15%	0.88
	1	50	120	1.05	59	0.50	0.99	<10%	1.78
		50	277	1.05	61	0.26	0.86	<15%	1.72
FT36/39W/2G11	4	39	120	0.86	154	1.33	0.9	<10%	0.56
		39	277	0.87	152	0.57	0.97	<10%	0.57
	3	39	120	0.88	114	0.98	0.99	<10%	0.77
		39	277	0.88	114	0.43	0.96	<10%	0.77
	2	39	120	0.86	74	0.63	0.99	<10%	1.16
		39	277	0.87	75	0.29	0.94	<10%	1.16
	1	39	120	0.88	39	0.33	0.98	<15%	2.26
		39	277	0.88	41	0.17	0.85	<15%	2.15
FC12T5HO 55W	3	55	120	0.83	136	1.13	0.99	<10%	0.61
		55	277	0.84	136	0.50	0.97	<10%	0.62
	2	55	120	0.75	88	0.73	0.99	<10%	0.85
		55	277	0.75	88	0.34	0.97	<10%	0.85
	1	55	120	0.77	46	0.38	0.99	<15%	1.66
		55	277	0.77	47	0.19	0.96	<15%	1.65

\* Primary Lamp Design  
• Specifications are subject to change without notice.



8/22/2014

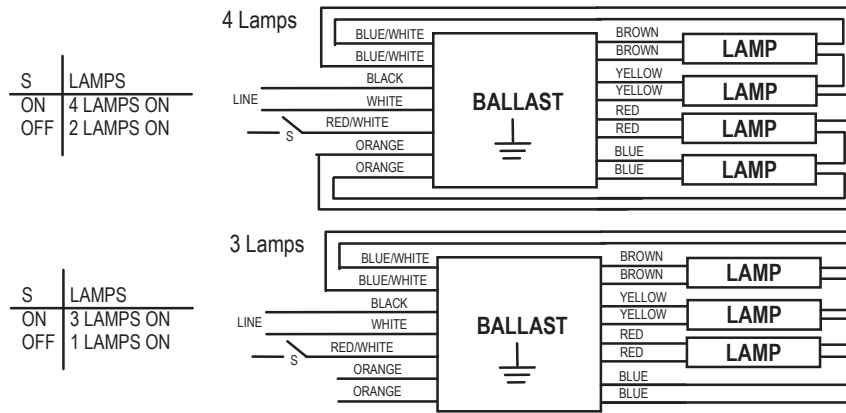
**4 Lamp  
Standard Ballast Factor  
Multi-volt**

Project:	
Catalog#:	
Approved by:	

**Ballast Specifications**

- Ballast shall have a THREE-year warranty
- Ballast shall be UL & cUL 935 Listed, & UL
- Ballast shall meet RoHS compliance
- Ballast shall be sound rated Class A
- Ballast shall have a Lamp Current Crest Factor of <1.7
- Ballast shall meet ANSI Standards C62.41 Cat. A
- Ballast shall comply with the limits of FCC Part 18 Class A (Non-consumer)
- Ballast shall have a -28°C minimum lamp starting temperature for primary lamp
- Ballast shall be Program Rapid Start Series Lamp Operation
- Ballast shall have minimum Power Factor of 96% for primary Lamp operation
- Ballast shall operate within +/- 10% of the ballast specified line voltage at 60 Hz
- Ballast shall have a maximum case hot spot temperature of 90 Celsius
- Ballast shall have Lamp End-Of-Life Protection

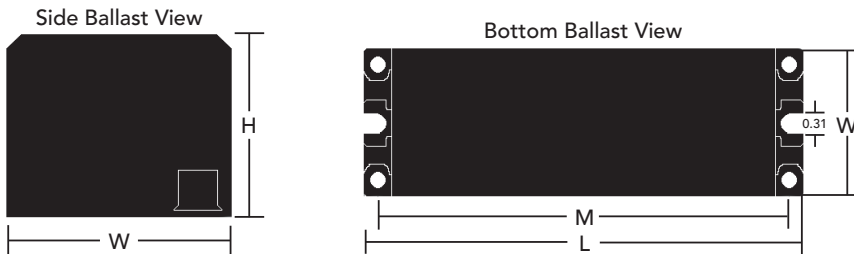
**Wiring Diagram**



**Switch "S" connected to neutral only.**

**Dimensions**

- L: 9.45"
- W: 2.28"
- H: 1.03"
- M: 9.00"



• Specifications are subject to change without notice.



Electronic Fluorescent Ballast