

**Fluorescent Emergency  
Ballast 650 Lumens**



Project:	
Catalog#:	
Approved by:	

**Warranty & Listings**

- Five year warranty against defects in material and workmanship (lamps excluded).
- Meets UL924, NFPA 101 Life Safety Code, NEC, OSHA, Local and State Codes.
- UL Listed for damp locations (0°C – 50°C).
- Suitable for use in sealed and gasketed fixtures.

**Lamp Compatibility**

- Compatible with most one-, two-, three-, and four-lamp electronic standard and dimming AC ballasts.
- Operates one 13W-26W, 2-pin compact fluorescent lamps with GX23 and G24D bases. Refer to lamp compatibility chart for a complete list of lamps.

**Illumination**

- Works with or without an AC ballast to convert new or existing fluorescent fixtures in to unobtrusive emergency lighting.
- Operates one lamp in the emergency mode for a minimum of 90-minutes.
- Provides a maximum initial lumen output of 650 lumens.

**Electrical**

- Dual 120/277 voltage.
- Charge rate/power "ON" LED indicator light and push-to-test switch for mandated code compliance testing.
- Long life, maintenance-free, rechargeable sealed NiCd battery.
- Internal solid-state transfer switch automatically connects the internal battery to fluorescent lamp(s) for minimum 90-minute emergency illumination.
- Fully automatic solid-state, two rate charger initiates battery charging to recharge a discharged battery in 24 hours.
- Time delay enhancement to overcome end-of-life circuit-protection.

**Mounting**

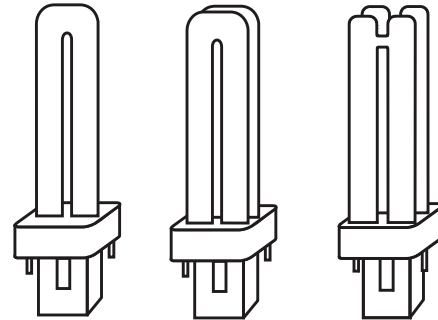
- Suitable for installation inside, on top or in remote\* of the fixture.
- Can be used in both switched and unswitched fixtures.
- UL Listed for factory or field installation.

**Housing**

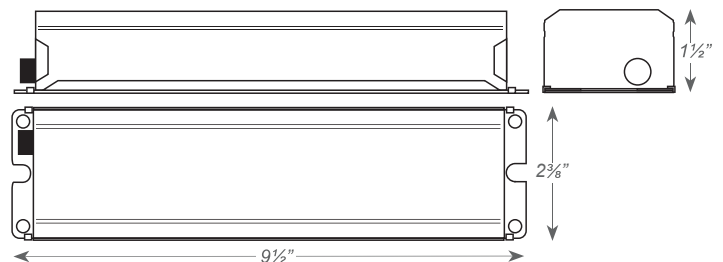
- Durable painted steel construction in white finish.
- Provided with 2' flex conduits on both ends.
- Compact design fits most fluorescent fixtures.

\* When battery packs are remote mounted, the remote distance cannot exceed 1/2 of the distance from ballast to lamp specified by the A.C. ballast manufacturer. The maximum allowable remote mounting distance is 50 feet.

NOTE: In 2-lamp operation, lumens are equally split between the two lamps.



**Dimensions**



Fluorescent Emergency  
Ballast 650 Lumens

Project:	
Catalog#:	
Approved by:	

**Electrical Information**

CATALOG NUMBER	INPUT WATTS (W)		INPUT AMPS (A)	
	120V	277V	120V	277V
BAL650C-2	2.8	2.6	0.270	0.260

**Lamp Compatibility Chart**

LAMP	INITIAL LUMENS
	1-LAMP
2-Pin PL CF 13W	380
2-Pin PL CF 18W	550
2-Pin PL CF 26W	650

