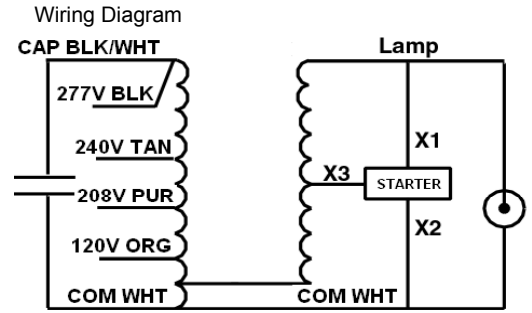
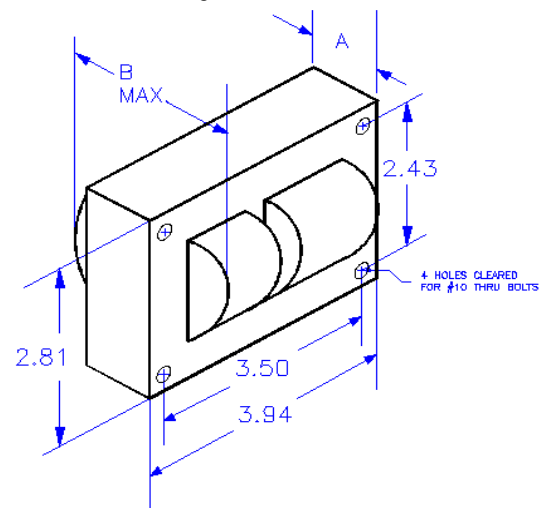


Input Volts		120	208	240	277
Circuit Type	HX-HPF				
Power Factor	> 90%				
Regulation					
Line Volts	+ / - 5%				
Lamp Watts	-10% +10%				
Line Current (Amps)					
Operating		1.10	0.65	0.55	0.50
Open Circuit		2.60	1.50	1.30	1.15
Starting		1.00	0.60	0.50	0.45
Recommended Fuse		7	4	4	3
UL Temperature Ratings					
Insulation Class	H(180C)				
Coil Temperature Code		A	A	A	A
Benchtop Coil Rise: Primary		< 75C	< 75C	< 75C	< 75C
Benchtop Coil Rise: Secondary		< 75C	< 75C	< 75C	< 75C
Input Watts		125	125	125	125
Nominal Open Circuit Volts	270				
Current Crest Factor	1.5				
Input Voltage at Lamp Dropout		80	140	160	185
Min. Ambient Starting Temp.	-20F -30C				
High Potential Test (Volts)					
1 Minute	1600				
1 Second	1900				
Open Circuit Voltage Test (Volts)					
Open Circuit Voltage	240 - 300				
Input Current	min	2.7	1.7	1.4	1.3
	max	4.5	2.8	2.4	2.2
Short Circuit Current Test (Amps)					
Secondary Current	1.20 - 1.50				
Input Current	min	0.40	0.25	0.20	0.15
	max	0.75	0.45	0.40	0.35
Core and Coil Specifications					
Dimension "A"	1.7				
Dimension "B"	3.1				
Weight (lbs.)	5.2				
Lead Lengths (in.)	12				
Capacitor Specifications					
Microfarads	12				
Volts (min.)	280				
	Round DRY				
Case Size (in.)	1.62				
Height (in.)	2.76				
Temp Rating - C	100				
Starter Specifications					
HI Model No.	ST1001 / BVS032				
BTL	2-FT				
Temp Rating (C)	105				



Starter BVS032: X1- Red/Wht; X2 - Yellw; X3 - Blue
Starter ST1001: X1- Red; X2 - White; X3 - Blue

Dimensional Diagram



Regulatory
UL®
US

RoHS

Rev. Date: 11/22/2011
Cat. Ref.: 1093-910349-XXX

Test Ref.: Validation

Specifications subject to change without notice.

Howard Lighting Products P.O. Box 1590 Laurel, MS 39441
Phone: 1-800-956-3456 Fax: (601) 422-1652 www.howardlightingproducts.com