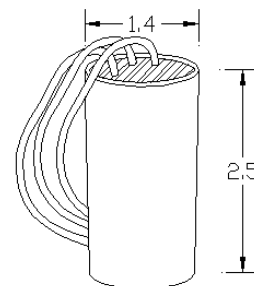
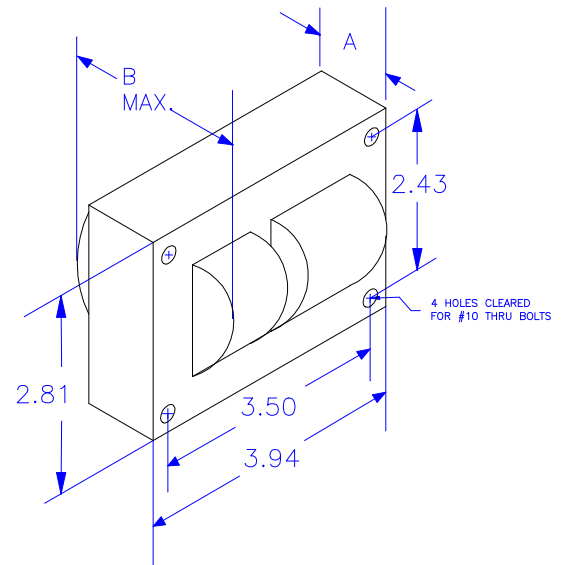
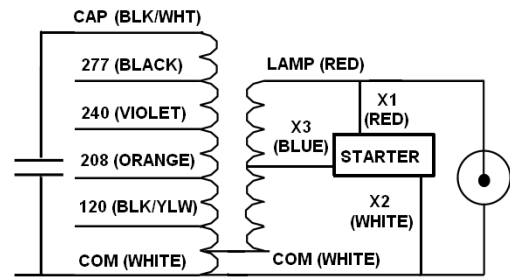


<b>Input Volts</b>		120	208	240	277
<b>Circuit Type</b>	HX-HPF				
<b>Power Factor</b>	> 90% w/ Cap				
<b>Regulation</b>					
Line Volts	± 5 %				
Lamp Watts	-10 % + 10 %				
<b>Line Current (Amps)</b>					
Operating		1.6	1.0	0.8	0.7
Open Circuit		3.5	2.0	1.7	1.5
Starting		1.7	1.0	0.8	0.7
Recommended Fuse		10	5	5	4
<b>UL Temperature Ratings</b>					
Insulation Class	H (180°C)				
Coil Temperature Code	B	B	B	B	B
Benchtop Coil Rise Primary	< 105	< 105	< 105	< 105	< 105
Benchtop Coil Rise Secondary	< 105	< 105	< 105	< 105	< 105
<b>Input Watts</b>		186	186	186	186
<b>NOM Open Circuit Volts</b>	265				
<b>Current Crest Factor</b>	1.53				
<b>Input Voltage at Lamp Dropout</b>		80	130	150	180
<b>Min Ambient Starting Temp.</b>	-20F -30°C				
<b>High Potential Test (Volts)</b>					
1 Minute	1650				
1 Second	2000				
<b>Open Circuit Voltage Test (Volts)</b>					
Open Circuit Voltage	235 - 290				
Input Current	min	2.6	1.5	1.3	1.1
	max	4.3	2.5	2.1	1.9
<b>Short Circuit Current Test (Amps)</b>					
Secondary Current	1.8 - 3.0				
Input Current	min	1.3	0.8	0.6	0.5
	max	2.1	1.3	1.1	0.9
<b>Core and Coil Specifications</b>					
Dimension A"	2.3				
Dimension B"	3.8				
Weight (lbs.)	7				
Lead Lengths (in)	12				
<b>Capacitor Specifications</b>					
Microfarads	16				
Volts (min.)	280				
	<b>Oval OIL Filled</b>	<b>DRY Film</b>			
Case Size (in.)	1.25	1.5			
Height (in.)	3.13	3.23			
Temp Rating °C	90	100			
<b>Starter Specifications</b>					
Model Number	ST1001				
	BTL	10			
Temp Rating °C	105				

Wiring Diagram



Rev. Date: 7/27/2009

Test Ref.: Validation

Specifications subject to change without notice.

Howard Industries, Inc. Ballast Products Division P.O. Box 1590 Laurel, MS 39441  
Phone: 1-800-956-3456 Fax: (601) 422-1652 www.howardlightingproducts.com