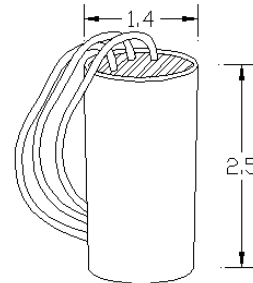
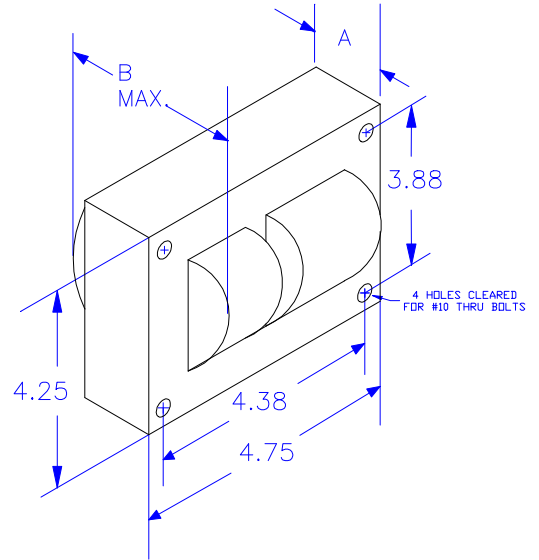
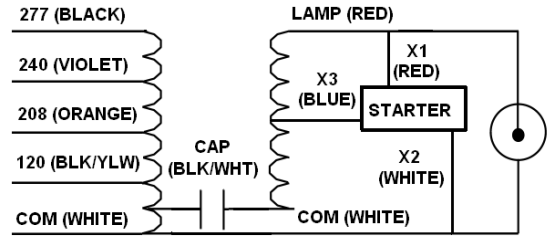


Input Volts		120	208	240	277
Circuit Type	PS-CWA				
Power Factor	> 90%				
Regulation					
Line Volts	± 10 %				
Lamp Watts	-10 % + 10 %				
Line Current (Amps)					
Operating		4.0	2.3	2.0	1.8
Open Circuit		2.1	1.3	1.0	0.9
Starting		2.8	1.6	1.3	1.2
Recommended Fuse		12	6	6	5
UL Temperature Ratings					
Insulation Class	H (180°C)				
Coil Temperature Code	D	D	D	D	D
Benchtop Coil Rise Primary	<115	<115	<115	<115	<115
Benchtop Coil Rise Secondary	<115	<115	<115	<115	<115
Input Watts		449	449	449	449
NOM Open Circuit Volts	270				
Current Crest Factor	1.63				
Input Voltage at Lamp Dropout		65	114	136	145
Min Ambient Starting Temp.	-20F -30°C				
High Potential Test (Volts)					
1 Minute	1650				
1 Second	2000				
Open Circuit Voltage Test (Volts)					
Open Circuit Voltage	250 - 300				
Input Current	min	1.0	0.6	0.5	0.5
	max	1.7	1.0	0.9	0.8
Short Circuit Current Test (Amps)					
Secondary Current	3.2 - 5.0				
Input Current	min	2.7	1.6	1.4	1.2
	max	4.5	2.6	2.3	2.0
Core and Coil Specifications					
Dimension A"	2.3				
Dimension B"	4.4				
Weight (lbs.)	11				
Lead Lengths (in)	12				
Capacitor Specifications					
Microfarads	26				
Volts (min.)	360				
	Oval OIL Filled DRY Film				
Case Size (in.)	1.75 1.77				
Height (in.)	3.87 4.7				
Temp Rating °C	90 100				
Starter Specifications					
Model Number	ST1000, ST1001				
	BTL 15				
Temp Rating °C	105				

Wiring Diagram



Rev. Date: 7/27/2009

Test Ref.: Validation

Specifications subject to change without notice.

Howard Industries, Inc. Ballast Products Division P.O. Box 1590 Laurel, MS 39441
Phone: 1-800-956-3456 Fax: (601) 422-1652 www.howardlightingproducts.com