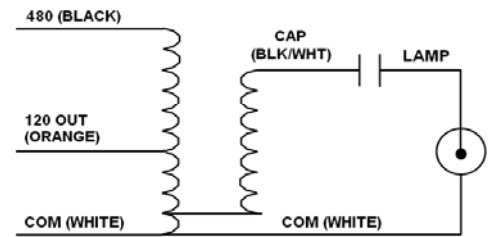
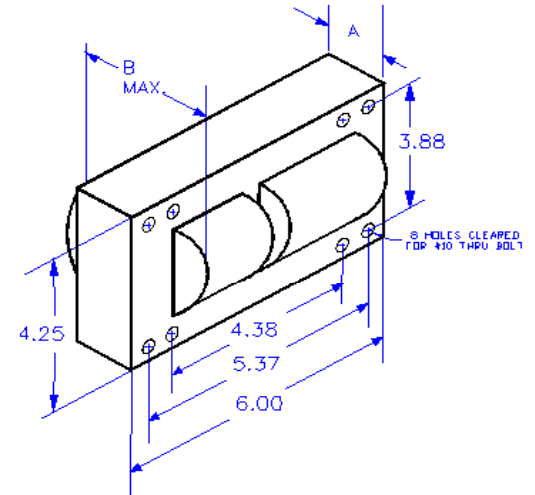


Input Volts	480			
Circuit Type	CWA			
Power Factor	> 90%			
Regulation				
Line Volts	+ / - 10%			
Lamp Watts	+10% -10%			
Line Current (Amps)				
Operating	2.30			
Open Circuit	1.55			
Starting	1.55			
Recommended Fuse	6			
UL Temperature Ratings				
Insulation Class	H(180C)			
Coil Temperature Code	D			
Benchtop Coil Rise	< 90C			
Input Watts	1085			
Nominal Open Circuit Volts	420			
Current Crest Factor	1.65			
Input Voltage at Lamp Dropout	260			
Min. Ambient Starting Temp.	-20F -30C			
High Potential Test (Volts)				
1 Minute	2000			
1 Second	2400			
Open Circuit Volatge Test (Volts)				
Open Circuit Voltage	375 - 460			
Input Current	min 1.2 max 2.0			
Short Circuit Current Test (Amps)				
Secondary Current	4.30 - 6.40			
Input Current	min 1.3 max 1.9			
Core and Coil Specifications				
Dimension "A"	2.8			
Dimension "B"	4.9			
Weight (lbs.)	18.5			
Lead Lengths (in.)	12			
Capacitor Specifications				
Microfarads	24			
Volts (min.)	480			
	Oval OIL			
Case Size (in.)	2 X 3			
Height (in.)	4			
Temp Rating - C	100			
Starter Specifications				
HI Model No.	NOT USED			
BTL	N/A			
Temp Rating (C)	N/A			

Wiring Diagram



Dimensional Diagram



Regulatory



RoHS

Rev. Date: 11/13/2011
Pt. Ref.: 1093-910355-XXX

Test Ref.: Validation

Specifications subject to change without notice.