

12/19/2012

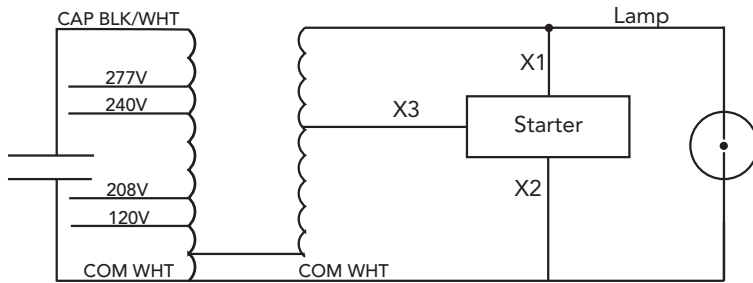
**70 Watt M98 60Hz  
Pulse Start Metal Halide**

Project:	
Catalog#:	
Approved by:	

Input Volts (60 hz)	120	208	240	277
Input Watts	92	92	92	92
Approx Line Current (Amps)*	0.80	0.45	0.40	0.35
Circuit Type	HX-HPF			
ANSI	M98			
Insulation Class	Class H			
Power Factor	> 90%			
Regulation	Line Volts: ±10% Lamp Watts: ±10%			
Min. Ambient Starting Temp.	-20°F/-30°C			
High Potential Test (Volts)	1 Minute: 1650 1 Second: 2000			
Lead Lengths (inches)	12			
UL Temperature Ratings*	1029A			
Capacitor*	8.0/280V Min. Included in kit			
Starter/Ignitor	ST1001. Included in kit			

\* See Ballast Label for exact values and additional information

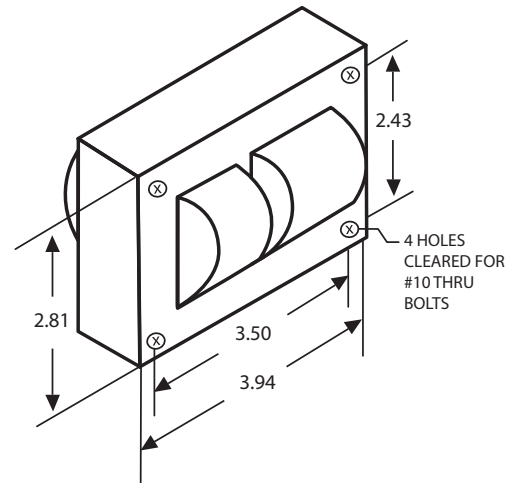
**WIRING DIAGRAM**



**HID Ballast Kit**

- Ballast
- Capacitor
- Starter
- Mounting Bracket

**DIMENSIONAL DRAWING**



Specifications subject to change without notice.



High Intensity Discharge Ballasts