

7/12/2012

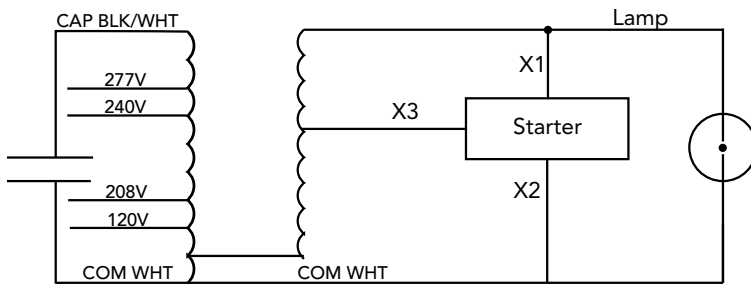
**100 Watt S54 60Hz
High Pressure Sodium**

Project:	
Catalog#:	
Approved by:	

Input Volts (60 hz)	120	208	240	277
Input Watts	128	129	130	128
Approx Line Current (Amps)*	1.1	0.6	0.55	0.45
Circuit Type	HXH - High Power Factor			
ANSI	S54			
Insulation Class	Class H			
Power Factor	> 90%			
Regulation	Line Volts: ±5% Lamp Watts: ±10%			
Min. Ambient Starting Temp.	-40°F/-40°C			
High Potential Test (Volts)	1 Minute: 2000 1 Second: 2500			
Lead Lengths (inches)	12			
UL Temperature Ratings*	1029B			
Capacitor*	10.0/280v Min. Included in kit.			
Starter/Ignitor	ST2001A. Included in kit			

* See Ballast Label for exact values and additional information

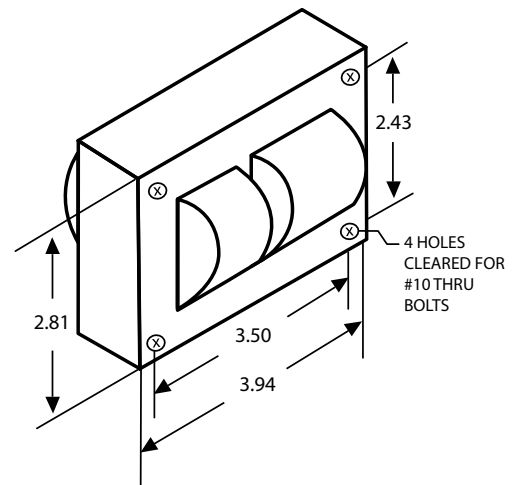
WIRING DIAGRAM



HID Ballast Kit

- Ballast
- Capacitor
- Starter
- Mounting Bracket

DIMENSIONAL DRAWING



Specifications subject to change without notice.

