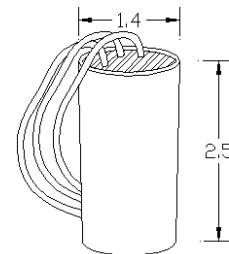
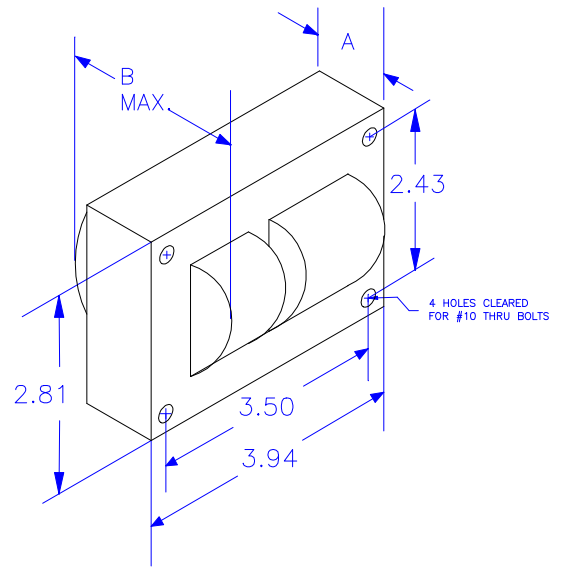
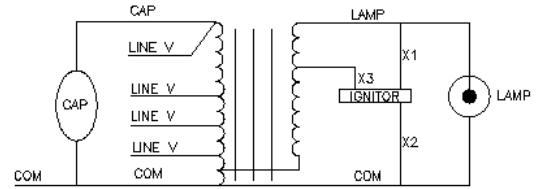


Input Volts		120	208	240	277
Circuit Type	Hx-HPF				
Power Factor	0.98				
Regulation					
Line Volts	± 5 %				
Lamp Watts	Within Trapezoid				
Line Current (Amps)					
Operating		1.10	0.63	0.55	0.47
Open Circuit		2.24	1.28	1.11	0.96
Starting		0.90	0.51	0.44	0.39
Recommended Fuse		6	4	3	3
UL Temperature Ratings					
Insulation Class	H(180°C)				
Coil Temperature Code		1029B	1029A	1029A	1029A
Benchtop Coil Rise Primary		67	65	63	64
Benchtop Coil Rise Secondary		77	-	-	-
Input Watts		128	129	130	128
NOM Open Circuit Volts	125				
Current Crest Factor	1.47				
Input Voltage at Lamp Dropout		80	143	160	164
Min Ambient Starting Temp.	-40F -40°C				
High Potential Test (Volts)					
1 Minute	2000				
1 Second	2500				
Open Circuit Voltage Test (Volts)					
Open Circuit Voltage	110 - 135				
Input Current	min	1.35	1.00	0.85	0.75
	max	2.55	1.60	1.40	1.20
Short Circuit Current Test (Amps)					
Secondary Current	2.40 - 3.20				
Input Current	min	0.50	0.30	0.25	0.20
	max	0.85	0.50	0.40	0.35
Core and Coil Specifications					
Dimension A"	2.00				
Dimension B"	3.40				
Weight (lbs.)	7.2				
Lead Lengths (in)	12				
Capacitor Specifications					
Microfarads	10				
Volts (min.)	280				
	Oval OIL Filled	DRY Film			
Case Size (in.)	1.25	1.5			
Height (in.)	2.5	3.23			
Temp Rating °C	90	100			
Starter Specifications					
Model Number	ST2001A				
BTL	20				
Temp Rating °C	105				

Wiring Diagram



Starter Case Drawing

Rev. Date: 1/30/2009

Test Ref.: Validation

Specifications subject to change without notice.

Howard Industries, Inc. Ballast Products Division P.O. Box 1590 Laurel, MS 39441
Phone: 1-800-956-3456 Fax: (601) 422-1652 www.Howard-Lighting.com