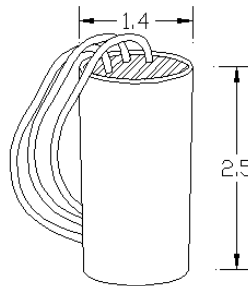
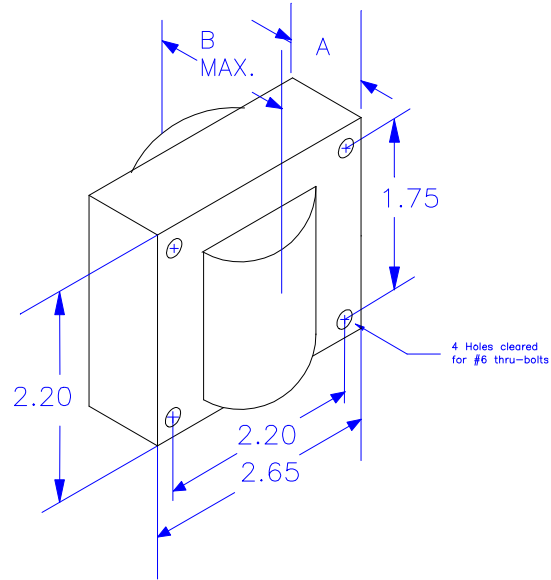
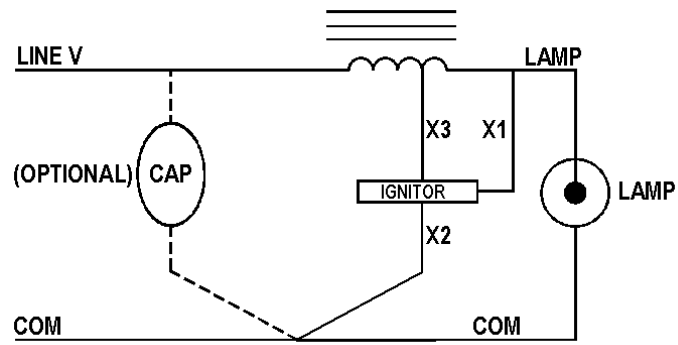


|  |                        |                 |
|--|------------------------|-----------------|
| <b>Input Volts</b>                       | 120 HPF                |                 |
| <b>Circuit Type</b>                      | Reactor                |                 |
| <b>Power Factor</b>                      | >0.9 w/ Cap            |                 |
| <b>Regulation</b>                        |                        |                 |
| Line Volts                               | ± 5 %                  |                 |
| Lamp Watts                               |                        |                 |
| <b>Line Current (Amps)</b>               |                        |                 |
| Operating                                | 1.50                   |                 |
| Open Circuit                             | 2.50                   |                 |
| Starting                                 | 2.05                   |                 |
| Recommended Fuse                         | 8                      |                 |
| <b>UL Temperature Ratings</b>            |                        |                 |
| Insulation Class                         | H (180°C)              |                 |
| Coil Temperature Code                    | A                      |                 |
| Benchtop Coil Rise Primary               | 67                     |                 |
| <b>Input Watts</b>                       | 167                    |                 |
| <b>NOM Open Circuit Volts</b>            | 120                    |                 |
| <b>Current Crest Factor</b>              | 1.55                   |                 |
| <b>Input Voltage at Lamp Dropout</b>     | 60                     |                 |
| <b>Min Ambient Starting Temp.</b>        | -40F -40°C             |                 |
| <b>High Potential Test (Volts)</b>       |                        |                 |
| 1 Minute                                 | 1240                   |                 |
| 1 Second                                 | 1490                   |                 |
| <b>Open Circuit Voltage Test (Volts)</b> |                        |                 |
| Open Circuit Voltage                     | 114 - 126              |                 |
| Input Current                            | min                    | 1.90            |
|  | max                    | 3.00            |
| <b>Short Circuit Current Test (Amps)</b> |                        |                 |
| Secondary Current                        | 3.65 - 5.55            |                 |
| Input Current                            | min                    | 1.65            |
|  | max                    | 2.75            |
| <b>Core and Coil Specifications</b>      |                        |                 |
| Dimension A"                             | 2.20"                  |                 |
| Dimension B"                             | 3.50"                  |                 |
| Weight (lbs.)                            | 3.4                    |                 |
| Lead Lengths (in)                        | 12                     |                 |
| <b>Capacitor Specifications</b>          |                        |                 |
| Microfarads                              | 55.0                   |                 |
| Volts (min.)                             | 120                    |                 |
|  | <b>Oval OIL Filled</b> | <b>DRY Film</b> |
| Case Size (in.)                          | 1.77 x 2.8             | 1.77            |
| Height ( in.)                            | 3.54                   | 4.61            |
| Temp Rating °C                           | 90                     | 100             |
| <b>Starter Specifications</b>            |                        |                 |
| Model Number                             | ST2001                 |                 |
| BTL                                      | 2                      |                 |
| Temp Rating °C                           | 105                    |                 |



Starter Case Drawing

Rev. Date: 12/8/08

Test Ref.:

Specifications subject to change without notice.

Howard Industries, Inc. Ballast Products Division P.O. Box 1590 Laurel, MS 39441  
Phone: 1-800-956-3456 Fax: (601) 422-1652 www.howard-ballast.com