

10/23/2012

Emergency Light

**Wet Location LED Emergency Light  
Remote Capable**

Project:	
Catalog#:	
Approved by:	

**Features**

- Remote Capable
- UL listed for wet locations
- Meets UL924, NFPA 101 Life Safety Code, NEC, OSHA, Local and State Codes

**Electrical**

- Dual 120V/277V voltage
- Can operate up to two (2) additional LED remote lamp heads (3.6V DC output; 3W max.)
- Charge rate/power "ON" LED indicator light and push-to-test switch for mandated code compliance testing
- Long-life, maintenance-free, rechargeable NiCd battery
- Internal solid-state transfer switch automatically connects the internal battery to LED lamp heads for minimum 90-minute emergency illumination
- Fully automatic solid-state, two-rate charger initiates battery charging to recharge a discharged battery in 24 hours
- Cold weather feature available with standard unit for freezer applications

**Illumination**

- Sealed and gasketed weather proof lighting heads with high performance chrome plated metallized reflector and tempered glass lenses for optimal light distribution
- Long lasting efficient Ultra-bright white LED lamp heads

**Housing**

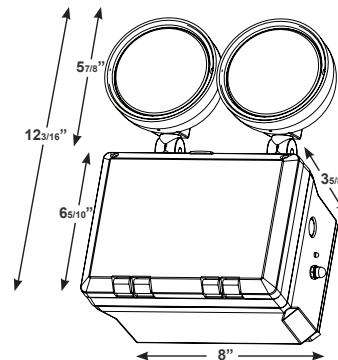
- Corrosion-resistant 5VA flame retardent stabilized polycarbonate in gray or black finish
- Sealed and gasketed housing with hinged cover
- Sealed test switch
- Integral breather vent



**Mounting**

- External mounting brackets for simplified wall mounting

**Dimensions**



**ORDERING INFORMATION**

Model Family	Housing Color	Options	Emergency Operation
HLTFX-2-LED	Blank - Grey B - Black	RC - Remote Capable	90 minutes
example model# HLTFX-2-LED			

Specifications subject to change without notice.

