

GL Series LED Garage Light Series



Description

GL Series LED garage light is an ideal solution for illuminating parking garages, canopies, and other applications requiring low-profile luminaire that can be surface or pendant-mounted. With a die cast aluminum housing and a polycarbonate lens, the fixture will stand up to many years of punishing environmental conditions. High-efficacy, long-life LEDs provide both energy and maintenance cost savings compared to traditional canopy lights with HID, fluorescent or incandescent lamps.

Features

- Long-life LEDs provide a minimum of 65,000 hours of operation with at least 90% of initial lumen output (L_{90})[&].
- Die cast aluminum housing with durable, white, powder coat paint.
- Lens: High light transmittance PC, anti-UV fire resistant.
- Color Temperature: 4000K (neutral white) standard, call factory for other color options.
- Driver: 100-277V, 50/60Hz
- 1-10vdc dimming capability is standard.
- Power factor > 0.90, total harmonic distortion < 20%.
- Color rendering index > 80.
- Removable, threaded plugs for side attachment of 1/2" rigid electrical conduit.
- Integral dimming occupancy sensor.
- Easy installation in new construction or retrofit.
- Warranty: 5 years

[&]L90 hours are IES TM-21-11 calculated hours.



Project:	
Catalog#:	
Approved by:	
Date:	

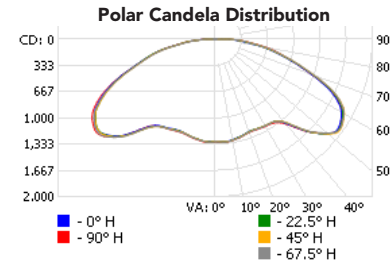
Applications

- Parking Areas
- Entrances
- Walkways
- Underpasses
- Loading Docks
- Recreation Areas

Warranty & Listings

- cULus listed for wet locations (-40°C to 40°C / -40°F to 104°F).
- IP65 rated.
- 5-year warranty on all electronics and housing.

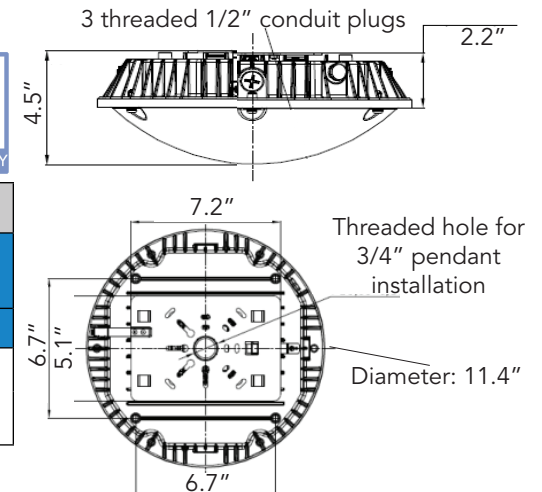
Photometrics



Mounting Options

- Junction box mounting plate is standard.
- Luminaire can also be directly surface-mounted to canopies by removing the lens, drilling holes in the cast housing, and screwing the luminaire to the canopy.
- Threaded hole on back of luminaire for 3/4" rigid electrical conduit also provides for pendant-mounting.

Dimensions



Ordering Information

Model	Configuration	CCT	Voltage	Housing Color	Controls
GL	-	40K	MV	W	S
GL (Garage Light)	A: 41W, 5240 lm	40K: 4000K	MV: 120- 277VAC	W: White	S: Integral Dimming Occupancy Sensor
	B: 62W, 7670 lm				