

4/3/2017

Medium LED Cutoff Wallpack
MLCWP Series
33, 46 Watts

Project:	
Catalog#:	
Approved by:	

LED Fixture

Features

- Energy Saving
- Comparable up to 150W HID using 46W LED
- 50,000 hour LED lifespan for maintenance-free operation
- Covers footprint of traditional wallpacks

Specifications

Housing

- Aluminum die-cast housing and door-hinge face frame
- Durable polyester powder coat finish
- Bronze housing

Lens

- Flat glass

LED

- 33, 46W
- Color temp: 5000K
- CRI: >70
- Min. Starting Temperature: -30°
- 100,000+ hour projected at L70
- Input voltage: 120-277V 50/60 Hz

Mounting

- 1/2" tapped top, side (2), and rear knockouts for 1/2" conduit or junction box.

Certifications

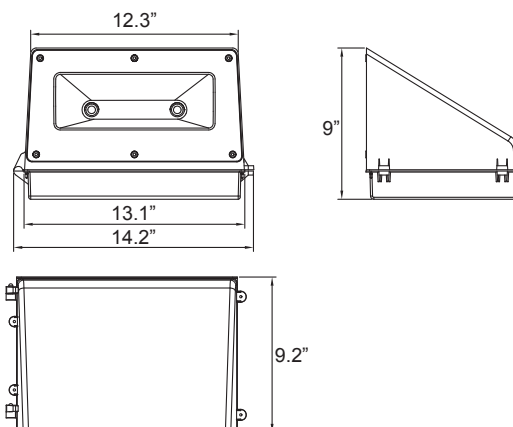
- UL/cUL Listed; suitable for wet locations
- DesignLights Consortium qualified

Warranty

- 5-Year Warranty

Applications

Ideal for parking facilities, entry ways, perimeter/pathway lighting or underpasses.



UPC Code	Model #	Input Wattage	Lumens	Efficacy (Lm/W)	CCT/CRI	Driver	Voltage	HID Replacement
08251	MLCWP-5033-MV	33	2350	72	5000K/73CRI	LED	120-277	100W HID
08252	MLCWP-5046-MV	46	3460	75	5000K/82CRI	LED	120-277	150W HID

Sample Ordering Number:

Howard MLCWP-5046-MV
Medium LED Cutoff Wallpack
46W / 3460 Lumens / 75 Lm/W
LED; 5000K/82 CRI
120-277 Volts

