

2/22/2015

4' Fluorescent Wrap Commercial Grade

Four Lamps

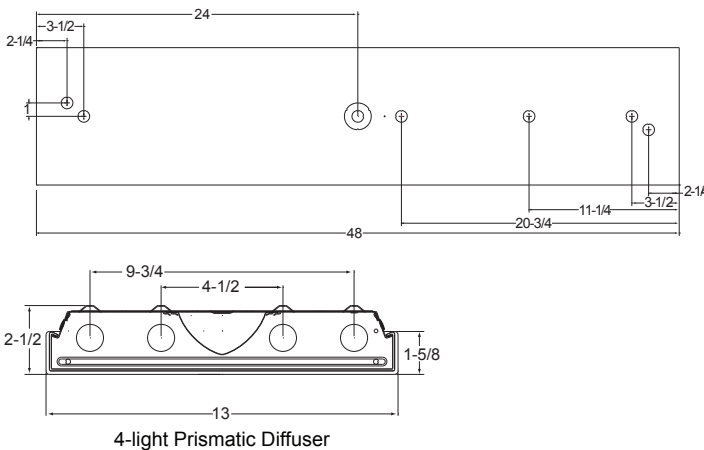


Fluorescent Wrap

Applications

Hallway/Corridor	Office
Schools	Residential
Shops/Sheds	Utility Areas

Dimensions



Specifications subject to change without notice.

Project:	
Catalog#:	
Approved by:	

Description

CW44 series is a narrow bodied, versatile, and durable fluorescent wrap fixture. This fixture operates four lamps and as a standard feature comes with a Howard ballast.

Features

Construction

- Die-formed code-gauge steel
- High gloss, baked enamel finish
- High quality lamp holders
- NEC compliant luminaire power disconnect standard

Diffuser

- Prismatic 100% Acrylic wrap-around lens
- Injection Molded
- Industry Standard #8 Pattern minimizes lamp image for more uniform appearance
- Ribbed side prisms control surface brightness
- Interlocking attachment prevents accidental removal
- Diffuser designed to hinge from either side allowing for easy maintenance

Installation

- Shipped fully wired with Howard ballast
- Shipped fully assembled
- Easy access to wiring compartment and ballast via tool-free removable ballast cover
- Numerous knockouts on fixture top surface and endcaps
- Flexible mounting options: surface mount, pendant mount, individual or continuous run

Ballast

- Electronic, Inherent Thermal Protection, Class P, Sound rated A

UL Listed

Fixture Listing

- UL Listed



4' Fluorescent Wrap Commercial Grade

Four Lamps

Project:	
Catalog#:	
Approved by:	

Ordering Information

Model Family	Reflector/Lens	No. of Lamps	Lamp Type/Wattage ⁽¹⁾	Ballast	Input Volts	Factory Installed Options	Cordset Options	T B A	Packaging
CW44	0	4	32	SE	MV	000	01	0	I
CW44	0: Reflective White Front (86%)	4	32A: F32T8 ⁽²⁾	SE: SBF High Eff ⁽³⁾ LE: LBF High Eff ⁽³⁾	MV: 120-277v	000: No FIOs B: Emergency Ballast ⁽⁴⁾	00: Standard Disconnect 01: 6' SJT 18/3, no plug 02: 10' SJT 18/3, no plug 03: 6' SJT 18/3 L5-15, twist lock 120v 04: 10' SJT 18/3 L5-15twist lock 120v 05: 6' SJT 18/3 5-15non twist lock 120v 06: 10' SJT 18/3 5-15non twist lock 120v 07: 6' SJT 18/3 L7-15 twist lock 277v 08: 10' SJT 18/3 L7-15 twist lock 277v 11: 16/3, no plug specify length 17: 18/3, no plug specify length 22: 6' SJT 16/3 L7-20 twist lock 277v 23: 6' SJT 18/3 L6-15 twist lock 240v *Other cordsets available, consult customer service		I: Single

(1) Lamp installation not available.
 (2) 32A Option will also run 30 & 28W T8 Energy Saving lamps, but the actual ballast will be the same.
 (3) High Efficiency ballasts are CEE Listed.
 (4) Please specify Emergency Ballast (120-277v only) lumen requirements at time of request.

SE	Standard Ballast Factor High Efficiency Instant Start T8 Ballast
HE	High Ballast Factor High Efficiency Instant Start T8 Ballast
LE	Low Ballast Factor High Efficiency Instant Start T8 Ballast

Sample Ordering Number:
CW44 0 4 32A SE MV 000 01 0 I
 CW44 Series 4-Foot Fluorescent Wrap
 Reflective White Front
 4-lamps (lamps not provided)
 F32T8 Standard Ballast Factor Instant Start
 High Efficiency Ballast
 Multi-volt (120-277v)
 6' SJT 18/3 cord, no plug
 Single Packaging

**RAPID SHIP MODEL
 AVAILABLE FOR NEXT DAY SHIPMENT**

- CW440432ASEMV

Specifications subject to change without notice.

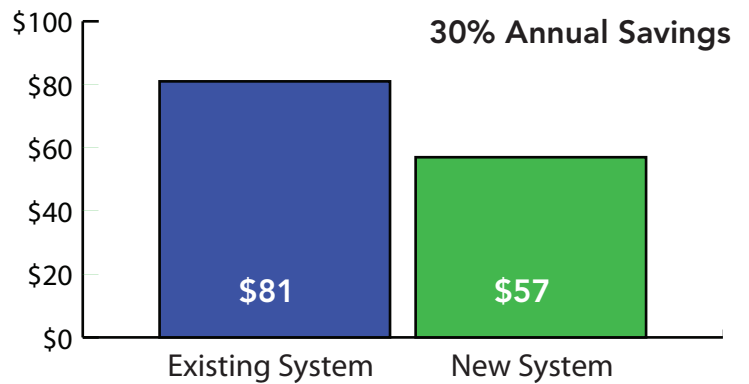
2/22/2015

Field Installed Options Ordering

Project:	
Catalog#:	
Approved by:	

Fluorescent Wrap

Energy Cost Estimator					
		Existing System		New System	
		M2/40RS-277		CW440432ASE	
Hours burned per year	4368	Number of Fixtures	1	Number of Fixtures	1
Cost per kWh\$	0.12	Watts per Fixture (existing system)	154	Watts per Fixture (new system)	108
Energy Cost Estimation		Energy used per year (existing system)	\$81	Energy used per year (new system)	\$57
		Energy saving per year (per fixture)		\$24	



Howard Industries provides this tool to examine the potential impact of lighting decisions. This tool provides an ESTIMATE only. The analysis of this tool does not warrant or guarantee the actual costs or savings that will be realized as the analysis suggested. You can find the full version of this cost saving tool at the Howard Lighting Website—www.howardlightingproducts.com. Click "Cost of Ownership Calculator".
Copyright (c) 2008 Howard Industries All Rights Reserved.

Specifications subject to change without notice.

2/22/2015

Fluorescent Wrap

Photometric Data - 2 Lamp T8 (FSA0232)

Iso-Footcandle Plot

Project:	
Catalog#:	
Approved by:	

Zonal Lumen Summary

Zone	Lumens	%Lamp	%Fix

Coefficients of Utilization - Zonal Cavity Method

Effective Floor Cavity Reflectance 0.20															
RC	80				70				50			30			10
RW	70	50	30	10	70	50	30	10	50	30	10	50	30	10	0
0															
1															
2															
3															
4															
5															
6															
7															
8															
9															
10															

Specifications subject to change without notice.